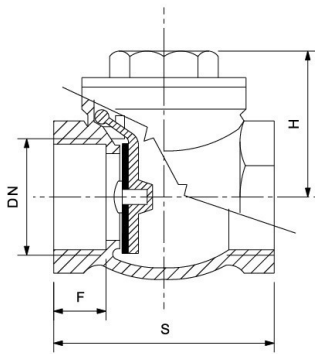




RIV 2251

Swing check valve F/F
rubber seat

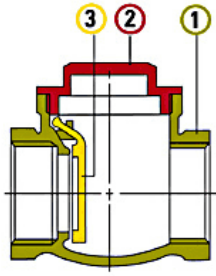
Tech drawings and tables



DN	Code	H	S	F	PN	KG	P/box
1/2"	032251000004	31	47	11	16	0,142	20
3/4"	032251000005	34	54	12	16	0,212	10
1"	032251000007	40	64	13	16	0,321	10
1"1/4	032251000008	46	76	14	16	0,504	10
1"1/2	032251000009	52	83	15	16	0,685	6
2"	032251000011	59	98	16	16	1,027	4
2"1/2	032251000013	67	116	18	16	1,645	1
3"	032251000014	77	135	20	16	2,331	1
4"	032251000016	91	164	22	10	3,935	1
5"	032251000018	118	206	23	10	10,867	1
6"	032251000019	134	235	27	10	15,244	1

Technical data

Art. 2250



Materials

1	Body	1/2" - 4" Brass	1/2" - 1" CW617N
		5" - 6" Bronze	1"1/4 - 4" CB754S 5" - 6" CB491K
2	Plug	Brass	CW617N
3	Obturator	Brass	CW617N

Connections

ISO 228/1

Limit

-10°C (without liquid) +90°C

Notes

The max. working pressure (PN) means at a room temperature of about 23°C.